



# ***Tucker's Technical***

Phone: 310-259-1617 • 1536 W 25<sup>TH</sup> ST. STE 267

. San Pedro, CA 90732-4415

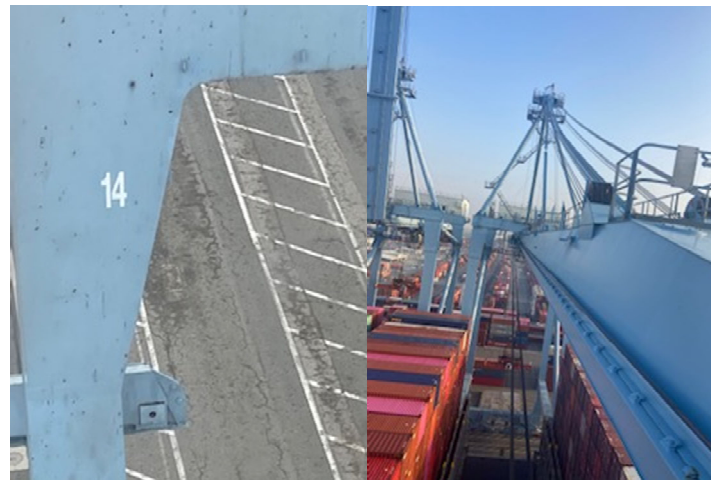
## **ITS TERMINAL PACECO CRANE INSPECTION FORM** **MONO-BOX**

Crane serial Number: Crane 14 Leg Raise Outreach 177.2 ft Back Reach 75 ft Rail Span 100 ft

Equipment Number: \_\_\_\_\_

Inspected By: Scott Tucker Tucker's Technical Services

Date of Inspection: April 5,2022

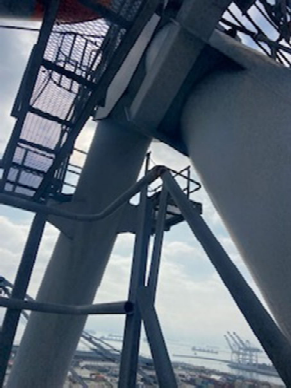
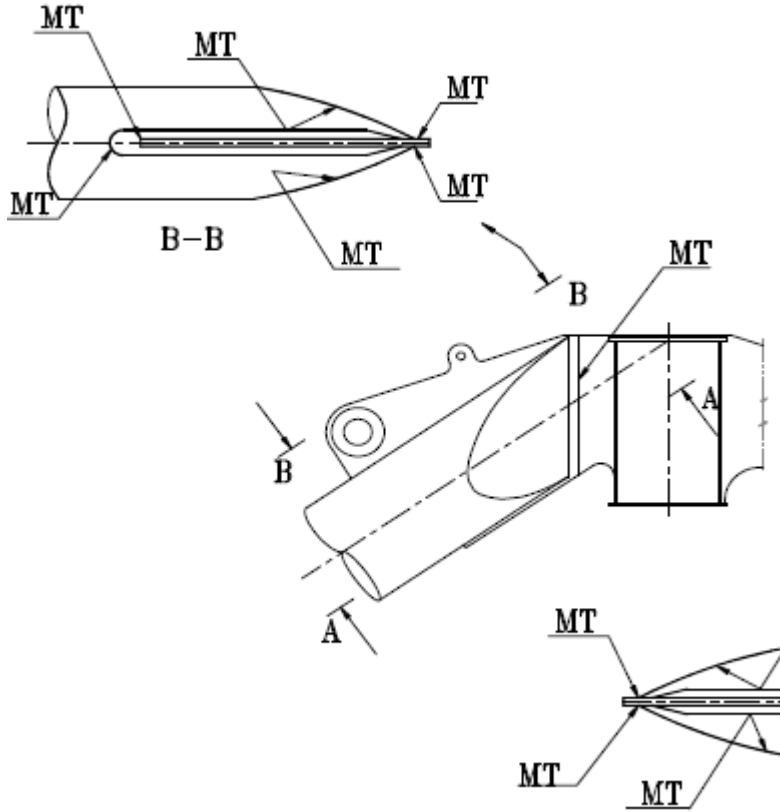
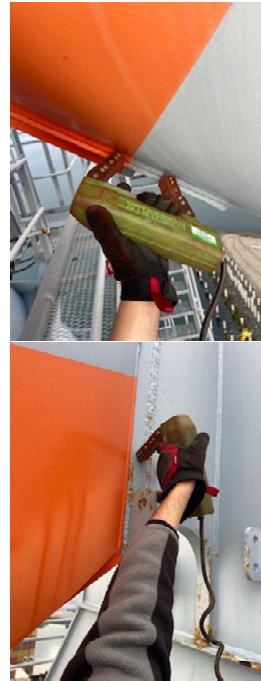




# Tucker's Technical

Phone: 310-259-1617 • 1536 W 25<sup>TH</sup> ST. STE 267

. San Pedro, CA 90732-4415


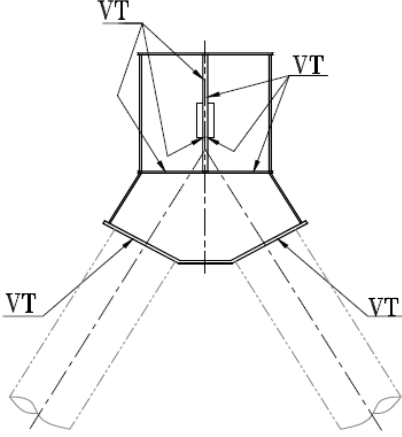


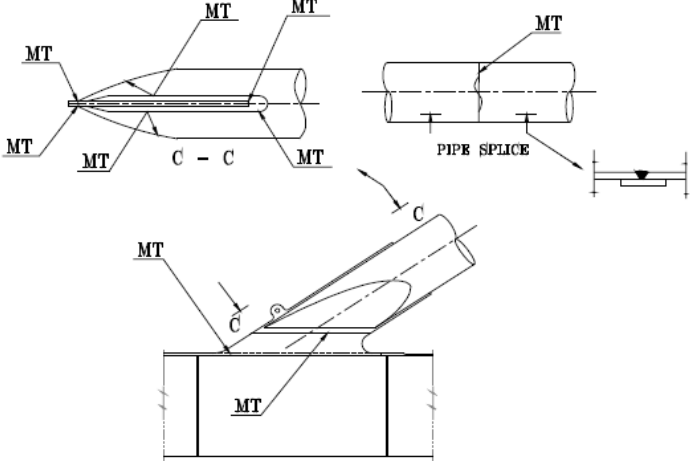
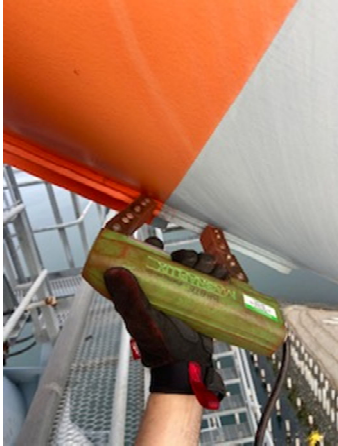
Part Name	VT	MT	Diagram	Inspector's Notes
<p>A-Frame Support (1)</p> 	<p>VT 1 Accept all</p>	<p>MT 1- 15 Accept all</p>		<p>Accept all VT &amp; MT Points per B this section</p> 



# Tucker's Technical

Phone: 310-259-1617 • 1536 W 25<sup>TH</sup> ST. STE 267

. San Pedro, CA 90732-4415


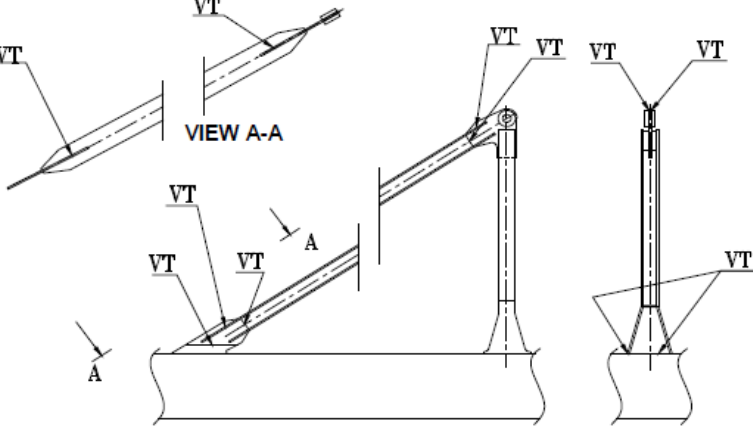


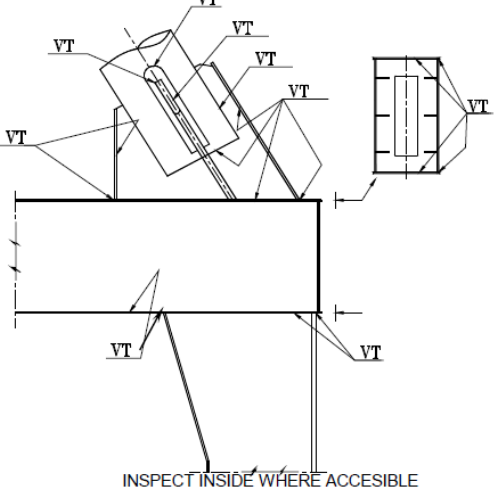

Part Name	VT	MT	Diagram	Inspector's Notes
<p>A-Frame &amp; Top Cross Connection</p> 	<p>VT 1-4 Accept all</p>	<p>MT 0</p>		<p>J21-J24</p>  <p>Four corner connection gusset plate heavy corrosion</p>
<p>A-Frame Support Lower</p> 	<p>VT 0</p>	<p>MT 1-8 Accept all</p>		 <p>M21-</p> <p>M25</p>



# Tucker's Technical

Phone: 310-259-1617 • 1536 W 25<sup>TH</sup> ST. STE 267

. San Pedro, CA 90732-4415


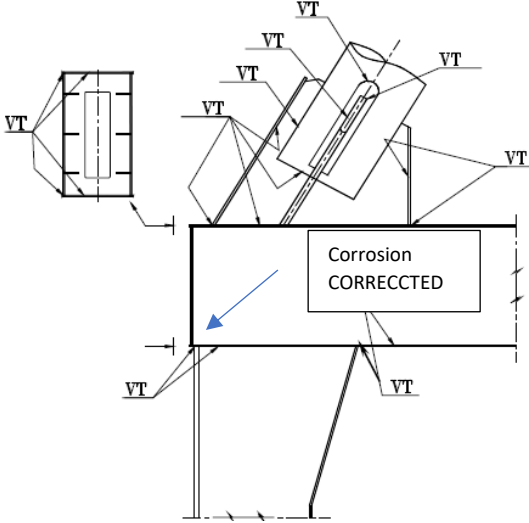

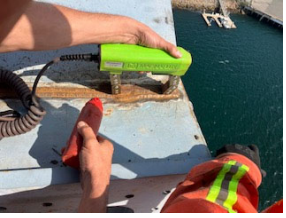
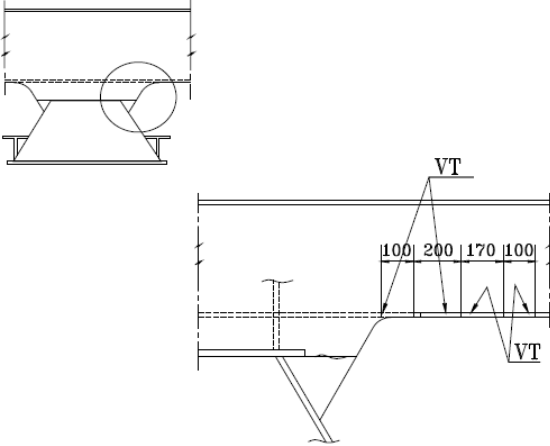

Part Name	VT	MT	Diagram	Inspector's Notes
<p>Backstay Support</p> 	<p>VT 1-10 Accept all</p>	<p>MT 0</p>		<p>J42-J43 Back stay foundation welds Need weld repair</p> <p>Man hole next to back stay Attachment weld needs repair- WELD REPAIRED 10/12/22</p> 
<p>Waterside Girder Support Beam</p> 	<p>VT 1-9 Accept all WELD REPAIRED 10/12/22</p>	<p>MT 0</p>	 <p>INSPECT INSIDE WHERE ACCESSIBLE</p>	<p>VT gusset attachment weld legs 1 &amp; 2 at lower connection support beam need weld repair &amp; anchor attachment from diagonal support cable needs weld repair. WELD REPAIRED 10/12/22</p> 



# Tucker's Technical

Phone: 310-259-1617 • 1536 W 25<sup>TH</sup> ST. STE 267

. San Pedro, CA 90732-4415

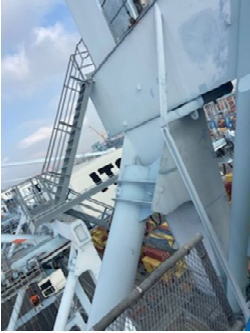
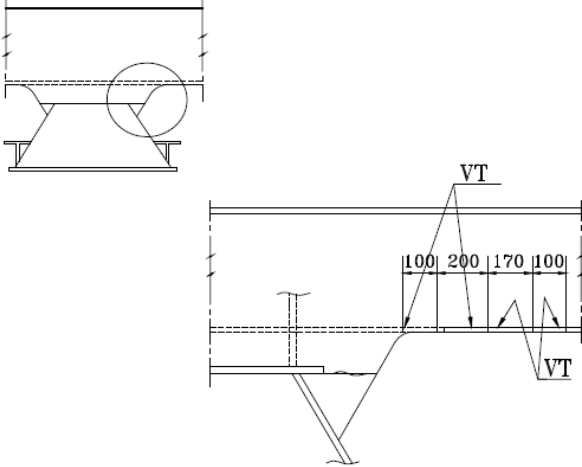
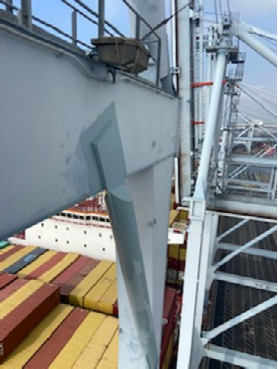
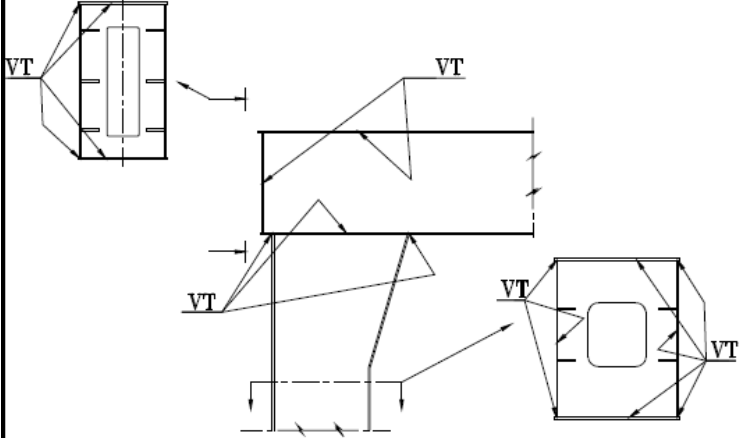
Part Name	VT	MT	Diagram	Inspector's Notes
<p>Waterside Leg Girder Support Beam</p> 	<p>VT 1-9 Accept all</p>	<p>MT 0</p>		<p>M19-M20</p>  <p>Heavy corrosion on leg diagonal anchor for cable</p>
<p>Waterside Leg Girder Support Beam to Girder Connection</p>  <div data-bbox="142 1357 338 1435" style="border: 1px solid black; padding: 2px; width: fit-content;"> <p>Reject-REAIRED 10/12/22</p> </div>	<p>VT 2 Accept</p>	<p>MT 0</p>		<p>Gusset plate weld needs weld repair, heavy corrosion.</p> <p>J-19-J-20</p> 



# Tucker's Technical

Phone: 310-259-1617 • 1536 W 25<sup>TH</sup> ST. STE 267

. San Pedro, CA 90732-4415


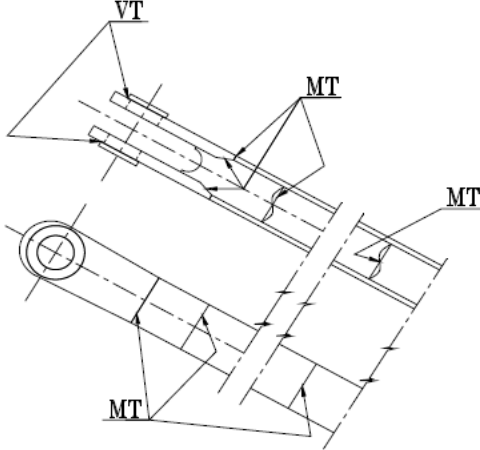


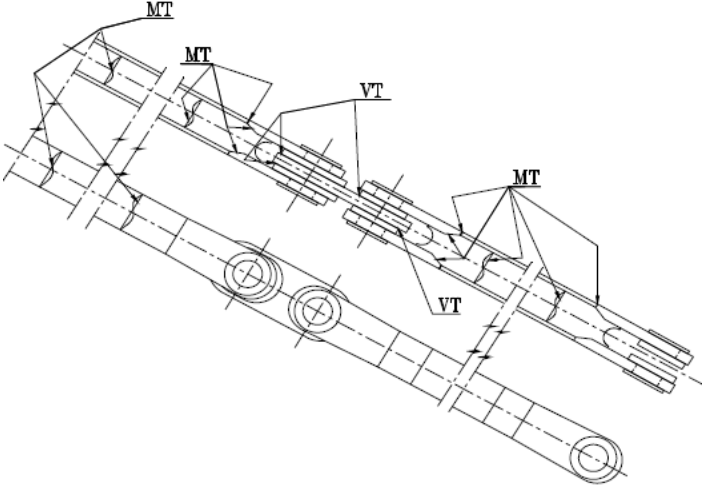
Part Name	VT	MT	Diagram	Inspector's Notes
Landside Leg Girder Support Beam to Girder Connection 	VT 1-2 Accept all	MT 0		M13-M14
Landside Leg Girder Support Beam to A-Frame Connection 	VT 1-5 Accept all	MT 0		M19-M22



# Tucker's Technical

Phone: 310-259-1617 • 1536 W 25<sup>TH</sup> ST. STE 267

. San Pedro, CA 90732-4415


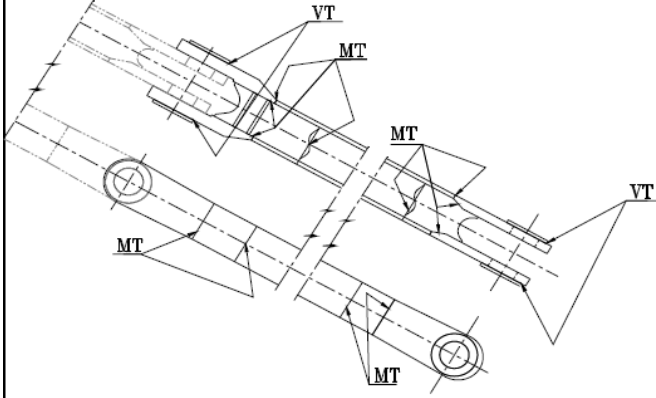
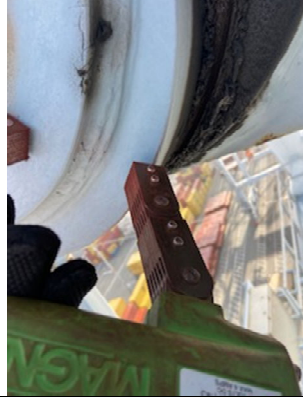

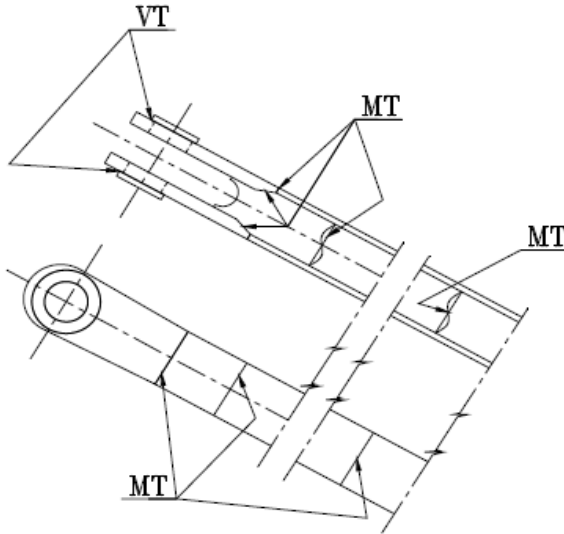

Part Name	VT	MT	Diagram	Inspector's Notes
<p>Outer Forestay Upper Section</p> 	<p>VT 1 Accept all</p>	<p>MT 1-3 Accept all</p>		
<p>Outer Forestay Middle Link</p> 	<p>VT 1-2 Accept all</p>	<p>MT 1-3 Accept all</p>		<p>M42-M47 Light surface corrosion at link plates</p>



# Tucker's Technical

Phone: 310-259-1617 • 1536 W 25<sup>TH</sup> ST. STE 267

. San Pedro, CA 90732-4415

Part Name	VT	MT	Diagram	Inspector's Notes
Outer Forestay Lower Link 	VT 1-2 Accept all	MT 1-4 Accept all		M42-M47 
Inner Forestay Upper Link 	VT 1 Accept all	MT 1-3 Accept all		M36- M41 


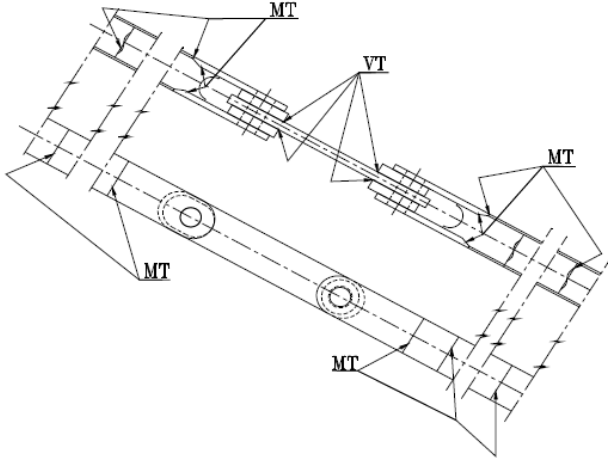


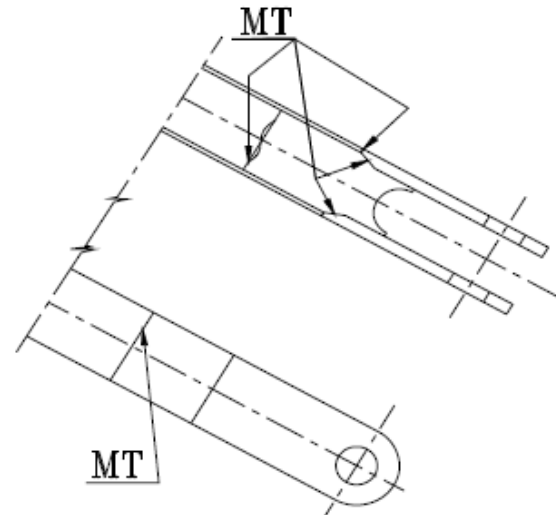





# Tucker's Technical

Phone: 310-259-1617 • 1536 W 25<sup>TH</sup> ST. STE 267

. San Pedro, CA 90732-4415

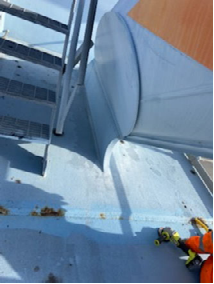
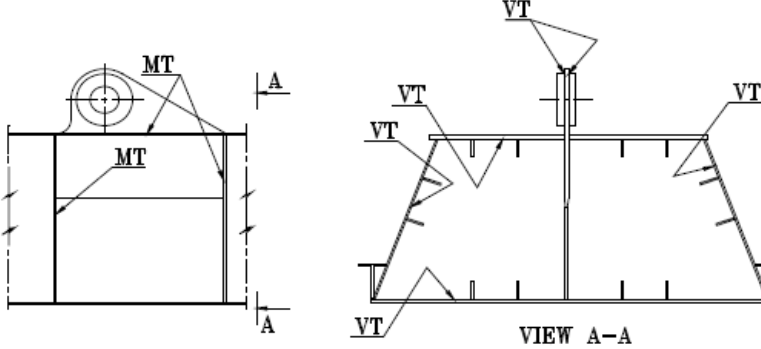


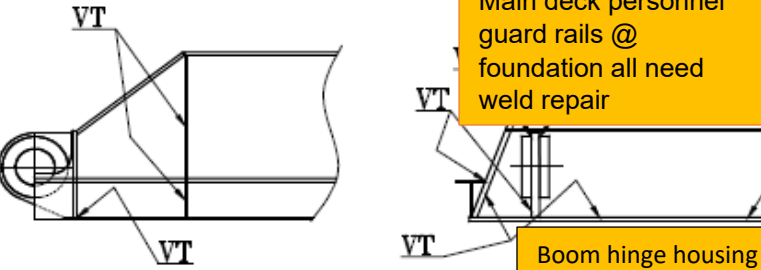

Part Name	VT	MT	Diagram	Inspector's Notes
Inner Forestay Middle Link 	VT 1 Accept all	MT 1-4 Accept all		 M40, M39, M44, M43
Inner Forestay Lower Link 	VT 0	MT 1-2 Accept all		



# Tucker's Technical

Phone: 310-259-1617 • 1536 W 25<sup>TH</sup> ST. STE 267

. San Pedro, CA 90732-4415


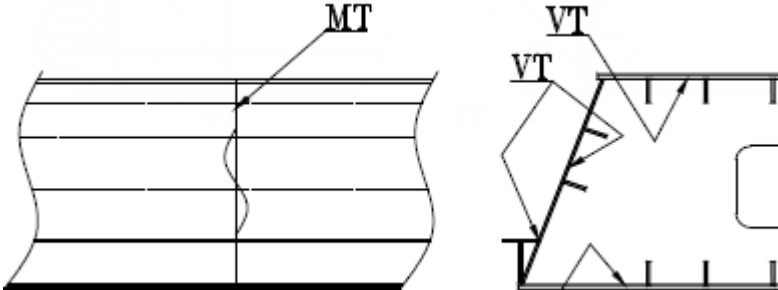


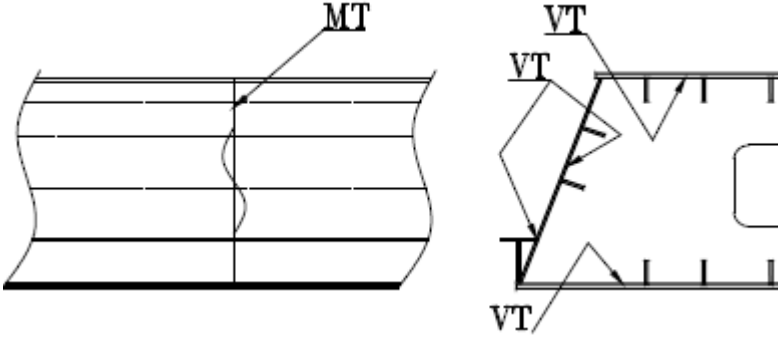

Part Name	VT	MT	Diagram	Inspector's Notes
Inner Forestay Bracket 	VT 1-5 Accept all	MT 1-2 Accept all		M36 
Boom Hinge 	VT 1-8 Accept all	MT 0	 <p>Main deck personnel guard rails @ foundation all need weld repair</p> <p>Boom hinge housing attachment heavy corrosion</p>	



# Tucker's Technical

Phone: 310-259-1617 • 1536 W 25<sup>TH</sup> ST. STE 267

. San Pedro, CA 90732-4415


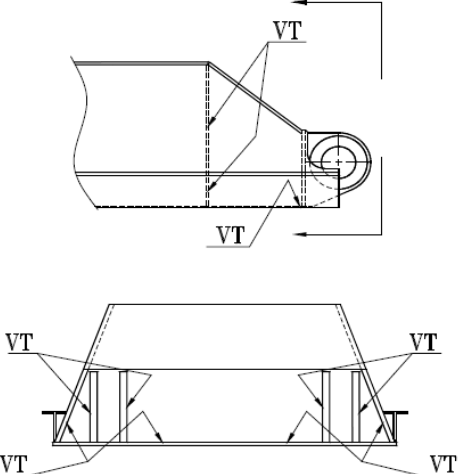


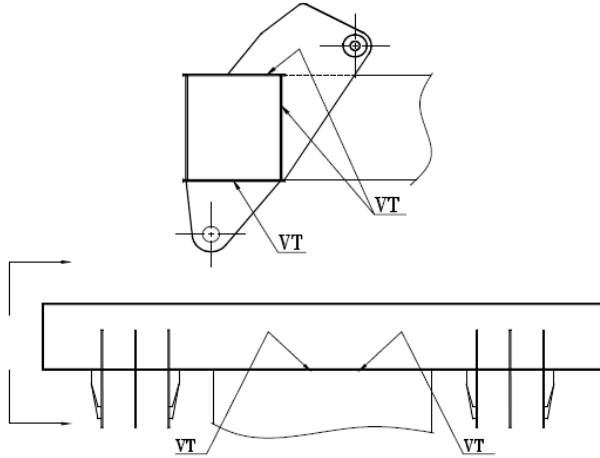

Part Name	VT	MT	Diagram	Inspector's Notes
Trolley Girder Section @ Splice 	VT 1-4 Accept all	MT 1 Accept all		
Boom Section @ Splice  <div data-bbox="210 922 394 1019" style="background-color: yellow; border: 1px solid black; padding: 2px;">             Deck weld needs repair           </div>	VT 1-4 Accept all	MT 1 Accept all		J35 & J36 JB-B1AC JB-B2LC control station foundation welds need weld repair. Top deck splice weld heavy corrosion 



# Tucker's Technical

Phone: 310-259-1617 • 1536 W 25<sup>TH</sup> ST. STE 267

. San Pedro, CA 90732-4415


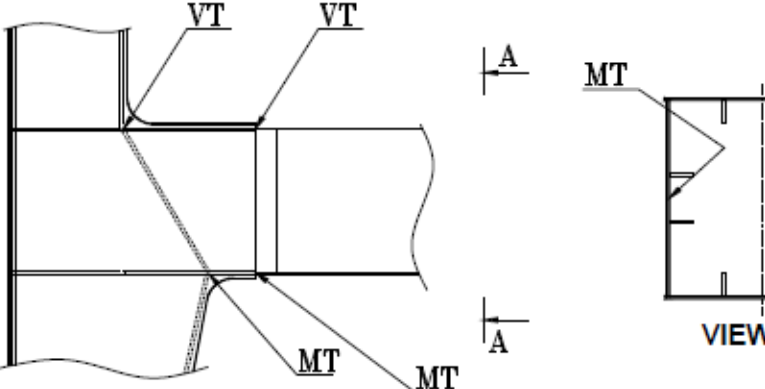

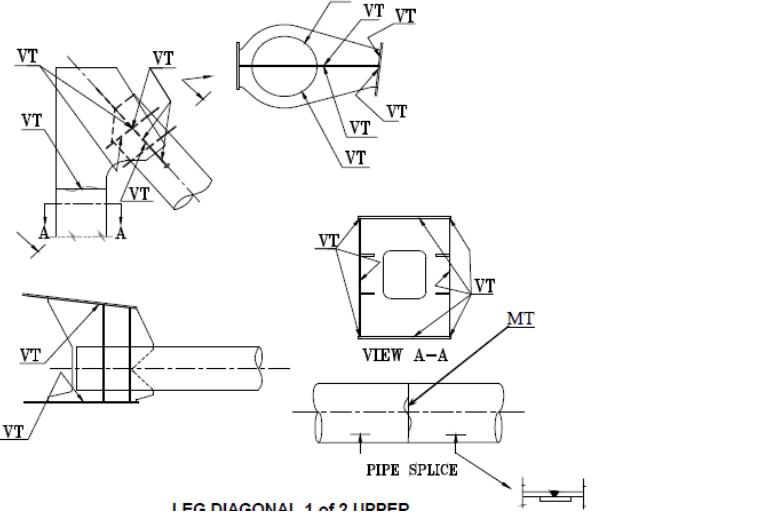
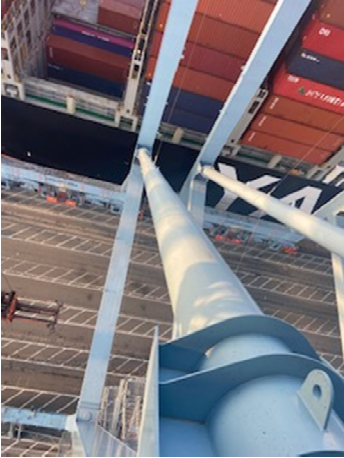
Part Name	VT	MT	Diagram	Inspector's Notes
<p>Trolley Girder Hinge</p> 	<p>VT 1-6 Accept all</p>	<p>MT 0</p> <p>M26-M28</p>		<p>M26 SDS structural inspection All girder platform bolt attachments have corrosion</p> 
<p>Trolley Girder End Tie</p> 	<p>VT 1-4 Accept all</p>	<p>MT0</p> <p>J-37</p>	 <div data-bbox="1297 1305 1556 1409" style="background-color: yellow; border: 1px solid black; padding: 5px;"> <p>Corrosion at tie ends</p> </div>	



# Tucker's Technical

Phone: 310-259-1617 • 1536 W 25<sup>TH</sup> ST. STE 267

. San Pedro, CA 90732-4415


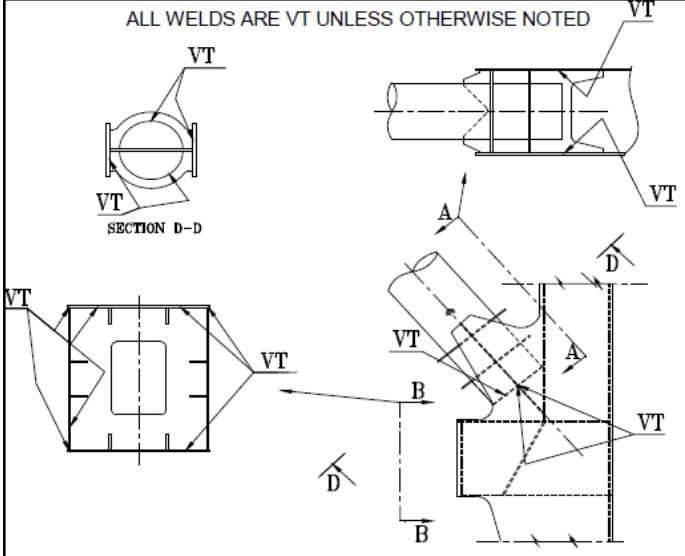
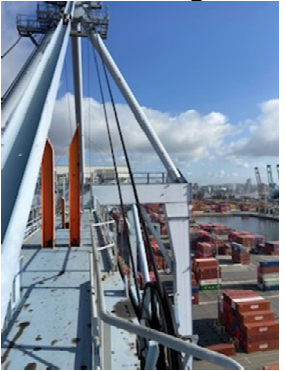
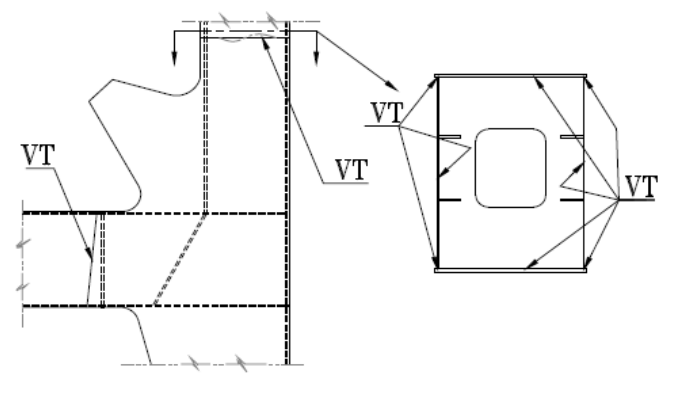
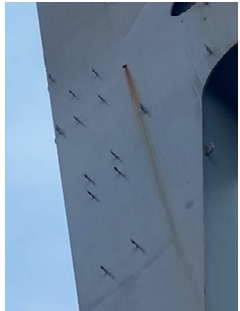
Part Name	VT	MT	Diagram	Inspector's Notes
<p>Portal Tie Landside</p> 	<p>VT 1-2 Accept all</p>	<p>MT 1-4 Accept all</p>	 <p>ALL WELDS ARE VT UNLESS OTHERWISE NOTED</p>	<p>Man hole on leg 1 heavy corrosion at attachment weld M15-M16</p>
<p>Leg Diagonal (Part 1)</p> 	<p>VT 1-22 Accept all</p>	<p>MT 1 Accept all</p>	 <p>LEG DIAGONAL 1 of 2 HIPED</p>	<p>J8-J12</p> 



# Tucker's Technical

Phone: 310-259-1617 • 1536 W 25<sup>TH</sup> ST. STE 267

. San Pedro, CA 90732-4415


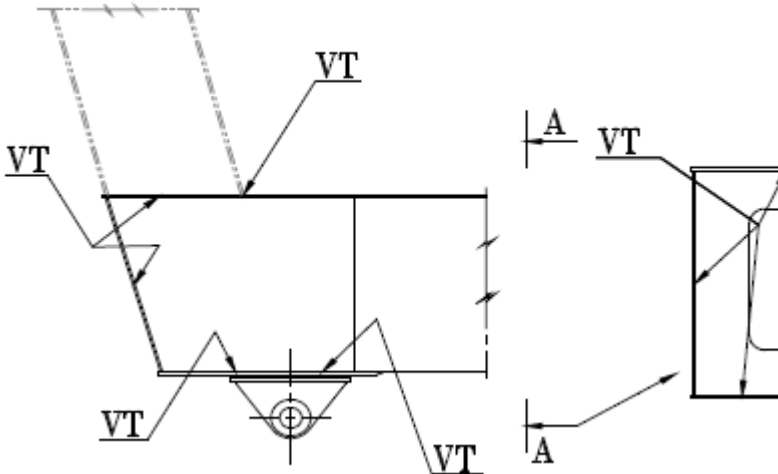

Part Name	VT	MT	Diagram	Inspector's Notes
<p>Leg Diagonal (Part 2)</p> 	<p>VT 1-22 Accept all</p>	<p>MT 1 Accept all</p>	<p>ALL WELDS ARE VT UNLESS OTHERWISE NOTED</p> 	<p>J8-J12</p>
<p>Waterside Leg</p> 	<p>VT 1-4 Accept all</p>	<p>MT 0  M11- M12</p>		<p>VT reject on waterside leg #1 inside diameter plate material- CORRECTED 10/12/22</p> 



# Tucker's Technical

Phone: 310-259-1617 • 1536 W 25<sup>TH</sup> ST. STE 267

. San Pedro, CA 90732-4415

Part Name	VT	MT	Diagram	Inspector's Notes
<p>Sill beam</p> 	<p>VT 1-5 Accept all</p> <p>VT 6 ACCEPT POST WELD REPAIR 10/12/22</p>	<p>MT 0</p> <p>M-5- M6</p>		



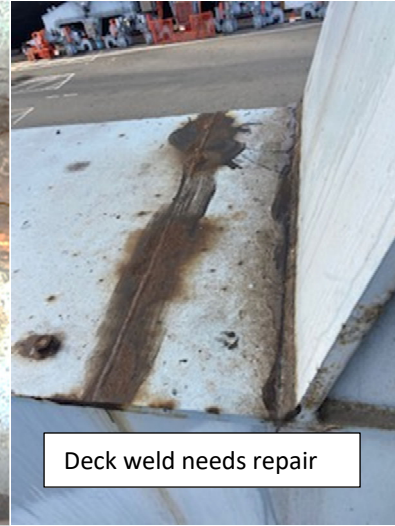
# Tucker's Technical

Phone: 310-259-1617 • 1536 W 25<sup>TH</sup> ST. STE 267

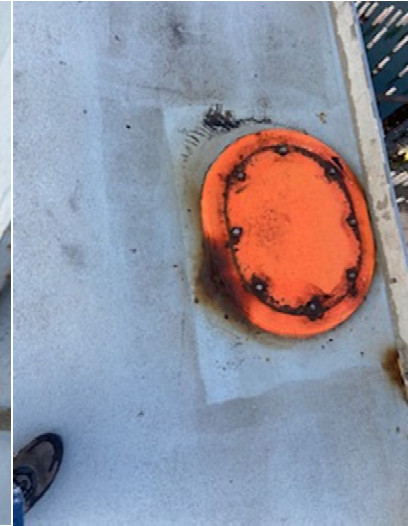
. San Pedro, CA 90732-4415



Sill beam attachment cracked weld



Deck weld needs repair



Back reach foundation attachment



Four corner connection







# ***Tucker's Technical***

Phone: 310-259-1617 • 1536 W 25<sup>TH</sup> ST. STE 267

. San Pedro, CA 90732-4415

